

# TECHNO A SERIES Touch Lock ACCESS PANEL

This a variation of A Series Hinged Door panel fitted with touch locks. Access panel is opened by pushing up the cover at corners on lock side to disengage the locks and the door will drop down.

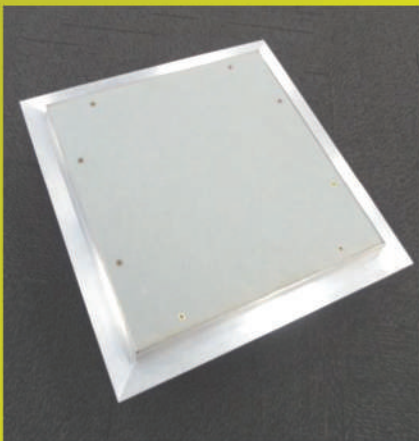
For application in damp environment, moisture resistant plasterboard can be used in place of regular plasterboard for cover.

Framing are all aluminium in natural finish. Panel is supplied unpainted and will required sealing of screw heads and painting to match ceiling.

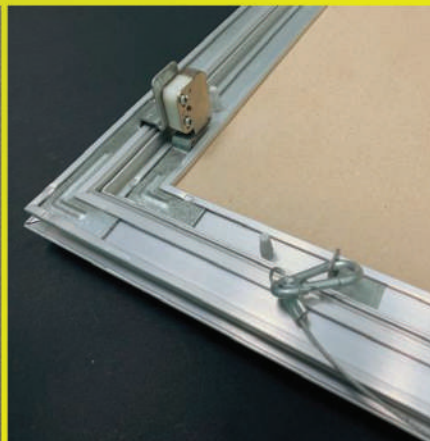
Installation is easy and aperture for access panel is cut to fit outer frame and fixing can be done by using standard plasterboard screws fixed from below through ceiling lining into outer frame.

## Technical Specifications

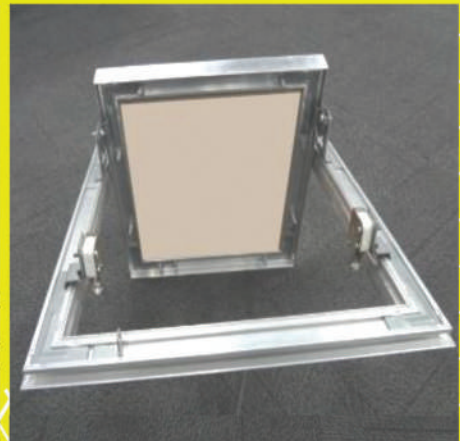
<b>Door Panel</b>	12 mm thick Regular Plasterboard with aluminium frame as standard. Options for other materials available such as moisture resistance plasterboard, fiber cement, calcium silicate etc.
<b>Frame</b>	Extruded aluminium proprietary profile in mill finish with pressed in corner plate
<b>Hinge</b>	Galvanised steel hinge plates with 5 mm diameter screw
<b>Safety</b>	A steel wire rope with carabiner secured the door to outer frame to prevent sudden drop
<b>Standard sizes</b>	300 mm x 300 mm; 450 mm x 450 mm and 600 mm x 600 mm Custom made sizes are made to order.



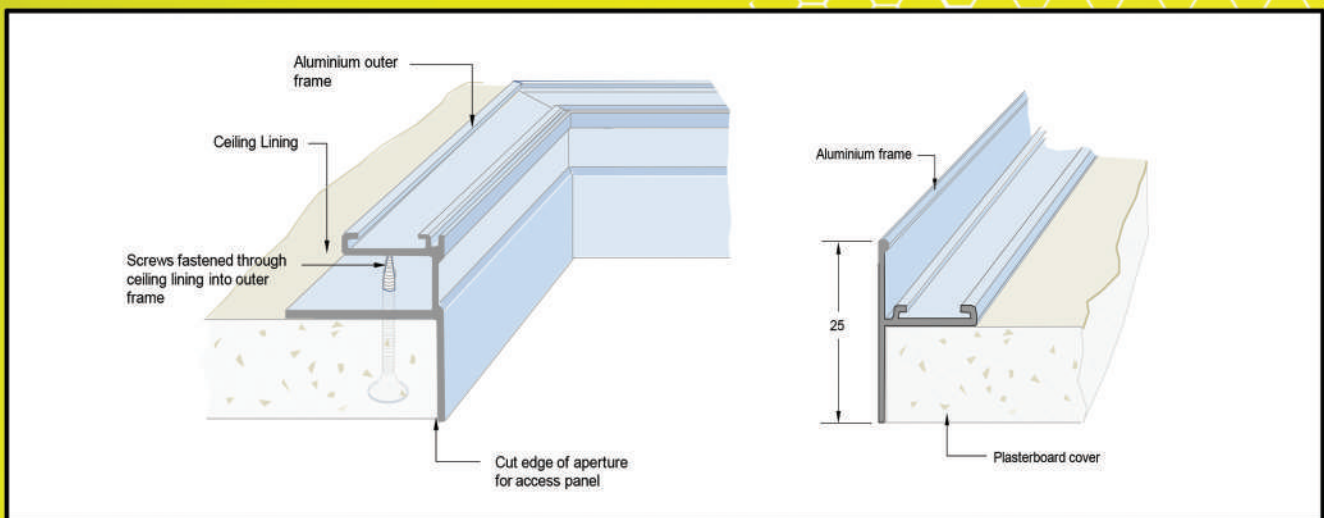
Front view



Touch lock & safety rope



Cover in dropped down position



Access panel framing details

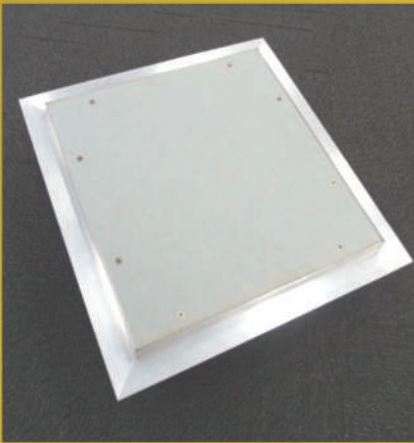
# TECHNO A SERIES Hinged Door ACCESS PANEL

**TECHNO**  
**FRAME**

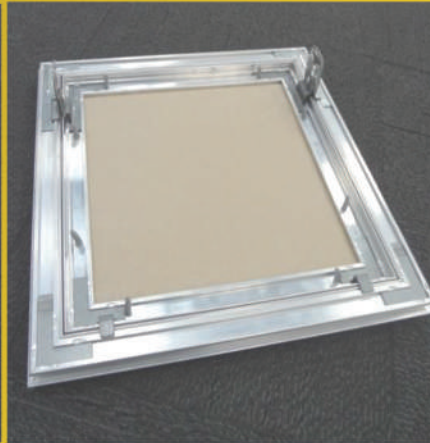
A cost effective and lightweight access panel. Access panel is opened by pushing up the cover and slide sideways for the door to drop down. The door is fixed to the outer frame by a simple screw hinged connection. For application in damp environment, moisture resistant plasterboard can be used in place of regular plasterboard for cover. Framing are all aluminium in natural finish. Panel is supplied unpainted and will required sealing of screw heads and painting to match ceiling. Installation is easy and aperture for access panel is cut to fit outer frame and fixing can be done by using standard plasterboard screws fixed from below through ceiling lining into outer frame.

## Technical Specifications

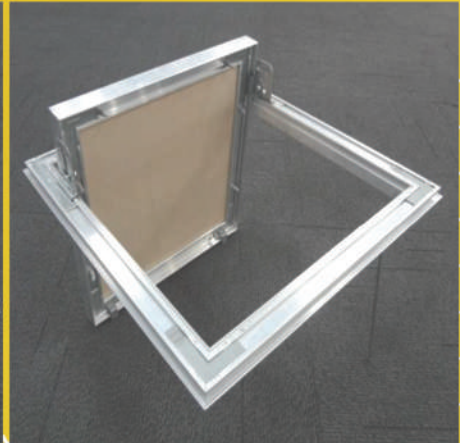
<b>Door Panel</b>	12 mm thick Regular Plasterboard with aluminium frame as standard. Options for other materials available such as moisture resistance plasterboard, fiber cement, calcium silicate etc.
<b>Frame</b>	Extruded aluminium proprietary profile in mill finish with pressed in corner plate
<b>Hinge</b>	Galvanised steel hinge plates with 5 mm diameter screw
<b>Standard sizes</b>	300 mm x 300 mm; 450 mm x 450 mm and 600 mm x 600 mm Custom made sizes are made to order.



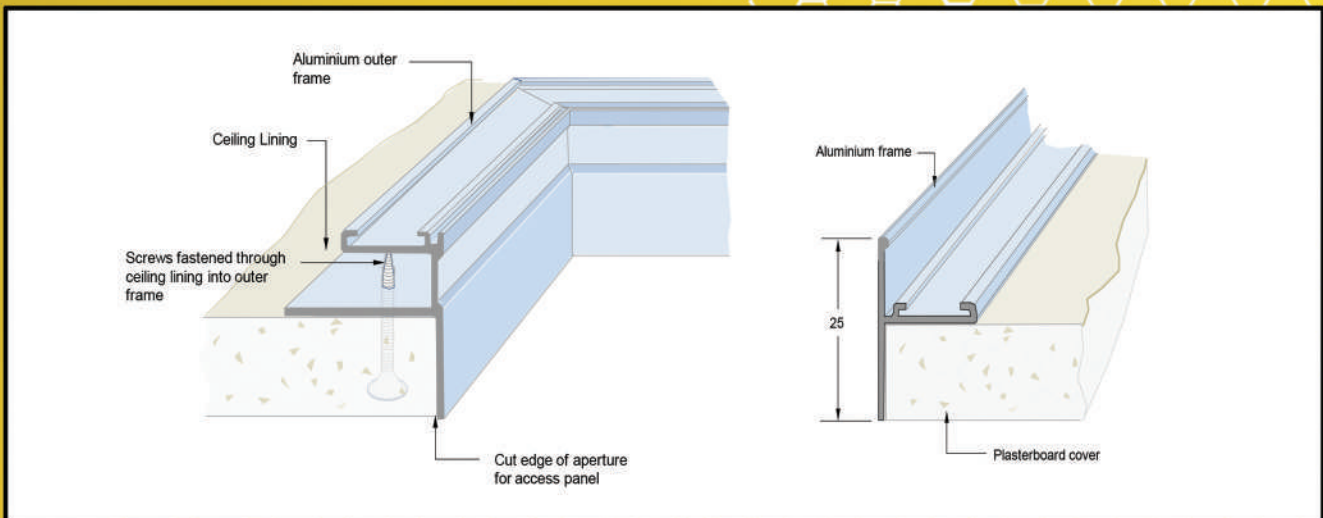
Front view



Back view



Cover in dropped down position



Access panel framing details

# TECHNO A SERIES Push Up ACCESS PANEL

The A Series Push up access panel is designed to be economical. It has an aluminium frame and is opened by pushing up the cover and slide sideways above the ceiling.

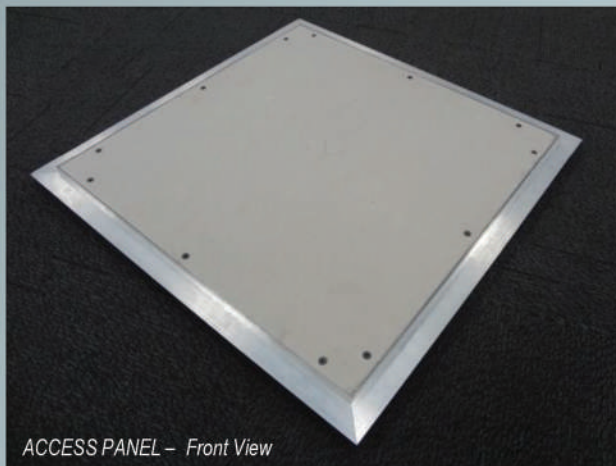
The panel is lightweight and simple to maintain. For application in damp environment, moisture resistant plasterboard can be used in place of regular plasterboard for cover.

The aluminium frames are in mill finish and the plasterboard shutter is supplied unpainted and will require sealing of screw heads and painting to match ceiling.

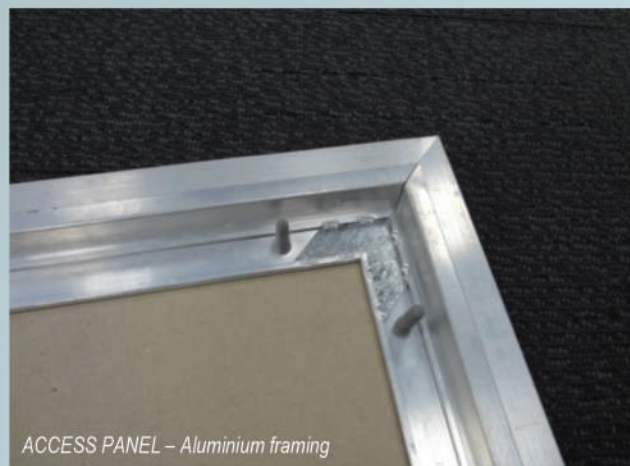
Installation is easy and aperture for access panel is cut to fit outer frame and fixing can be done by using standard plasterboard screws fastened from below through ceiling lining into outer frame.

## Technical Specifications

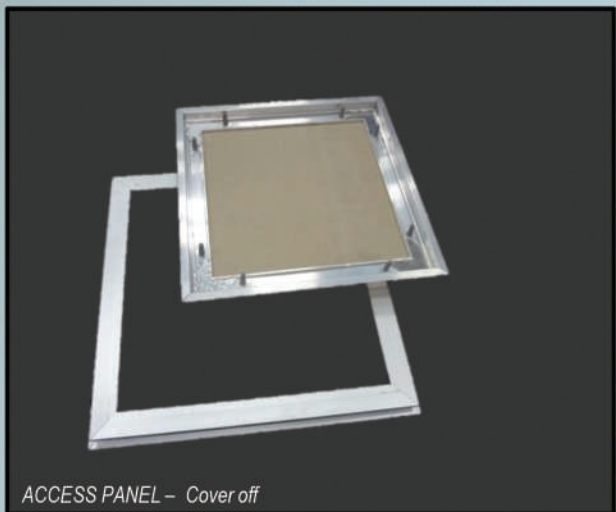
<b>Door Panel</b>	12 mm thick Regular Plasterboard with aluminium frame as standard. Options for other materials available such as moisture resistance plasterboard, fiber cement, calcium silicate etc.
<b>Frame</b>	Extruded aluminium proprietary profile in mill finish with pressed in corner plates.
<b>Standard sizes</b>	300 mm x 300 mm; 450 mm x 450 mm and 600 mm x 600 mm Custom made sizes are made to order.



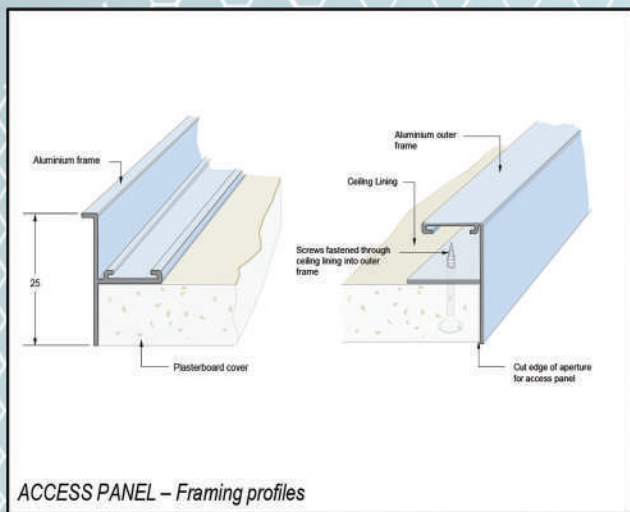
ACCESS PANEL – Front View



ACCESS PANEL – Aluminium framing



ACCESS PANEL – Cover off



ACCESS PANEL – Framing profiles

# TECHNO A SERIES Budget Lock ACCESS PANEL

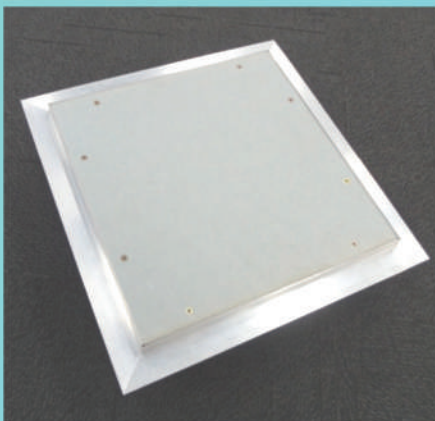
**TECHNO**  
**FRAME**

The A SERIES access panel has a cost effective, lightweight and practical design. It has a rigid aluminium frame secured with galvanised steel corner plates. This variant is fitted with a budget lock which is simple and maintenance free. The door panel is framed with a proprietary aluminium profile connected to the outer frame with hinge plates. The door can be detached by unfastening a screw holding the hinge plates together. This will allow the door to be easily removed if necessary and replaced if damaged. The door is opened by unlocking the budget lock with a standard square key which the door panel will drop down partially, restrained by a safety wire rope. The safety wire is then unhooked to allow the door to drop down fully.

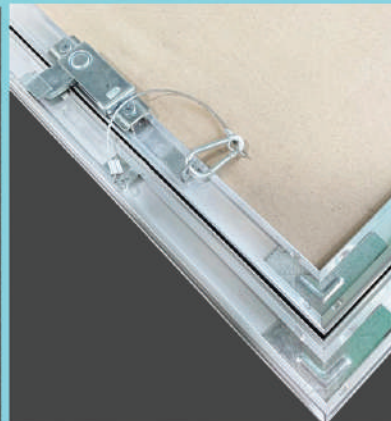
Door panel is fitted with 12 mm thick Regular plasterboard as standard but can be substituted with other type of boards. Installation is easy and aperture for access panel is cut to fit outer frame and fixing can be done by using standard plasterboard screws fixed from below through ceiling lining into outer frame.

## Technical Specifications

<b>Door Panel</b>	12 mm thick Regular Plasterboard with aluminium frame as standard. Options for other materials available such as moisture resistance plasterboard, fiber cement, calcium silicate etc.
<b>Frame</b>	Proprietary extruded aluminium profile in mill finish with pressed in galvanised steel corner plates
<b>Lock</b>	Budget lock with square key
<b>Hinge</b>	Galvanised steel hinge plates with 5 mm diameter screw
<b>Safety</b>	A steel wire rope with carabiner secured the door to outer frame to prevent sudden drop
<b>Standard sizes</b>	300 mm x 300 mm; 450 mm x 450 mm and 600 mm x 600 mm Non-standard sizes are made to order.



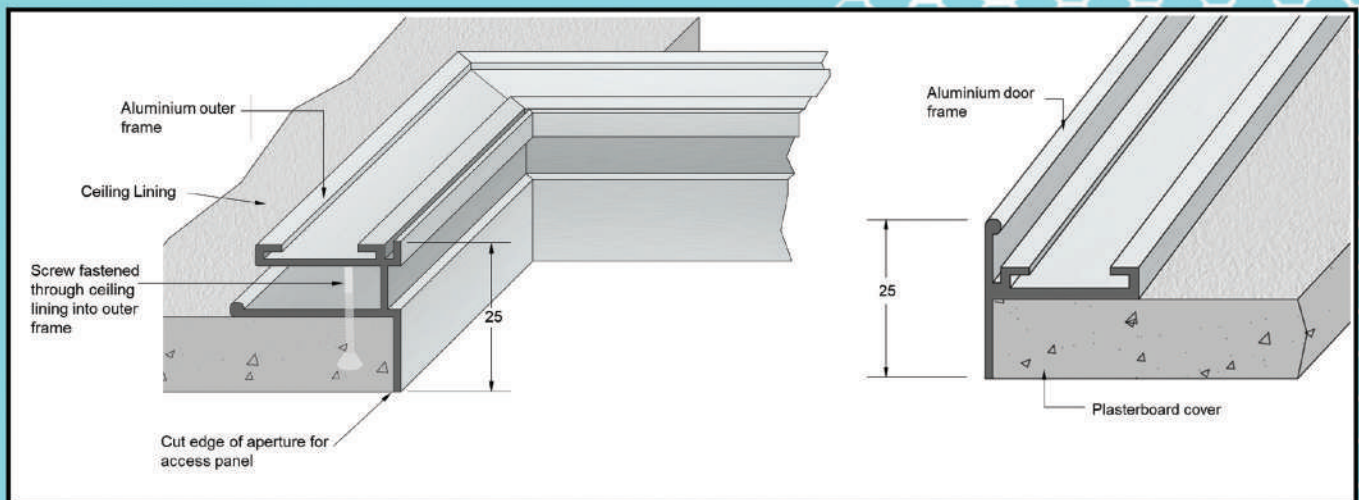
Front view



Budget lock & safety wire rope



Cover in dropped down position

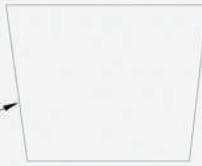


Access panel framing details

## TECHNO A SERIES Budget Lock Access Panel

1. Mark outline of aperture for access panel on ceiling lining with a pencil. Size of aperture shall be at least 3 to 4 mm larger than size of outer frame to allow easy fit.

Measure and mark outline of aperture require



2. Cut out plasterboard lining to form aperture by using a drywall saw.

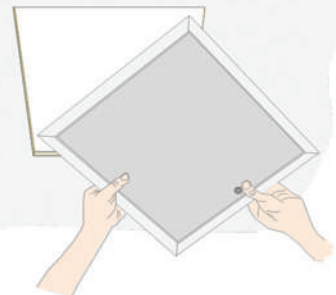


3. Wipe edges of opening clean to receive access panel

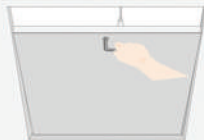
Aperture for access panel



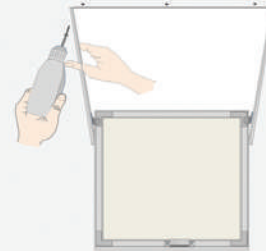
4. Place access panel onto opening by fitting it diagonally through the opening and allow frame to sit on the edge of the opening.



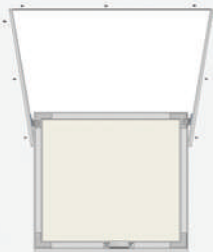
5. Use the square key to unlock the door which will drop down. Then, unhook the safety wire to open the door fully.



6. Ensure the outer frame of the access panel sits freely and square on the opening. Then grip and hold outer frame to ceiling lining and screw fixed from below through the ceiling lining to the outer frame. Do not press the outer frame against the side of aperture when fastening screw or this will distort the frame and will result in door not able to fit the outer frame.



7. Plasterboard screws shall be used with spacing not exceeding 300 mm. For larger panels, additional bracings or support members may be required.



8. Screw holes shall be filled flush after fixing.



**Note:** Care must be taken when handling the product. Manhandling can result in the following:

1. Frame distorted due to impact will result in door not closing properly.
2. Hinge plates out of position and will create unequal gaps and prevent door from closing properly.